

## REF.5237 RESISTANT PROXIMITY KIT



### FUNCTIONS

THE RESISTANT PROXIMITY KIT includes a vandal-proof proximity reader, with a slim profile and small dimensions, allowing it to be installed on narrow frame doors.

Lets you manage up to 1,000 users with the stand-alone MINI external controller (ref.5276). This controller includes two MASTER cards (REGISTRATIONS/CANCELLATIONS) and an IR infrared keypad for programming cards and parameters, 3 proximity cards (ref.52750), 2 keyrings (ref.52740) and a 12Vac/1A power supply (ref.4802).

MINI controller:

- Relay output 2A: Supplies 12Vdc between terminals GND, NO by default. Converts to dry contact by changing internal jumper switches.

Configurable from 1-99 sec. (5sg by default) or in flip-flop (when the card is presented the relay is triggered and when presented again it is deactivated).

- Exit pushbutton input. GND, OPEN.
- The controller allows up to 2 different types of access when installing a proximity reader.
  - Card only
  - Multi-card. When 2 to 9 valid cards are shown, the door opens.
- Multi-card type access requires several identifiers. For example, if it is programmed with 3 identifiers, to be able to operate the door, users will show their valid card and until the two additional cards are swiped (for example by security staff), the door will not open.
- Each user is associated with an ID number (from 1 to 999). This ID lets you cancel a lost or stolen card, so it is important to make a list, assigning each user the corresponding ID.
- The controller comes with two master cards which let you register or cancel cards or keyrings.
- This kit can be extended with a second proximity reader (ref.5296) that will act on the same kit relay.

## ACCESSORIES

- Ref.1076 MAGNETIC CONTACT (Door sensor)
- Ref.5296 RESISTANT PROXIMITY READER
- Ref. 5287 FLUSH MOUNTED PUSH BUTTON
- Ref. 5288 SURFACE PUSH BUTTON
- Ref. 67501 UNIV. LOCK RELEASE 990N-P22 10-24V MAX  
(Door lock release with short shield, normal operation with adjustable latch bolt)

## MECHANICAL FEATURES

### APPEARANCE

Steel  
Surface mounted system.  
Hidden screws.  
IP66 / IK09

### DIMENSIONS

Surface mounted (48(H) x 103(V) x 20(P) mm.

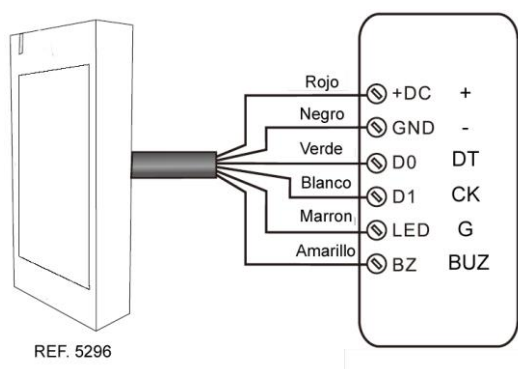
## TECHNICAL FEATURES

### Power supply:

Stand-alone 12 Vdc (9-24Vdc)  
Consumption in standby:  
12Vdc / 25mA  
Operating temperature: [-20°C, +60°C]  
Humidity: [10%, 95%]

Compatibility: EM Cards/keyrings (125KHz), MIFARE (13,56MHz) and HID (ISOProxII, 125KHz)  
Wiegand 26 proximity protocol.  
RF radiated power: 125KHz: 4.382dBuA/m, 13,56MHz: 2.02dBuA/m.

## TECHNICAL SPECIFICATIONS



### STAND-ALONE WIRING (with external controller ref. 5276)

- +DC (red):** Positive feed 12Vdc
- GND (black):** Negative feed 12Vdc
- D0 (green), D1 (white):** Wiegand 26 connection.
- LED (brown):** LED control
- BZ (yellow):** Acoustic signal.